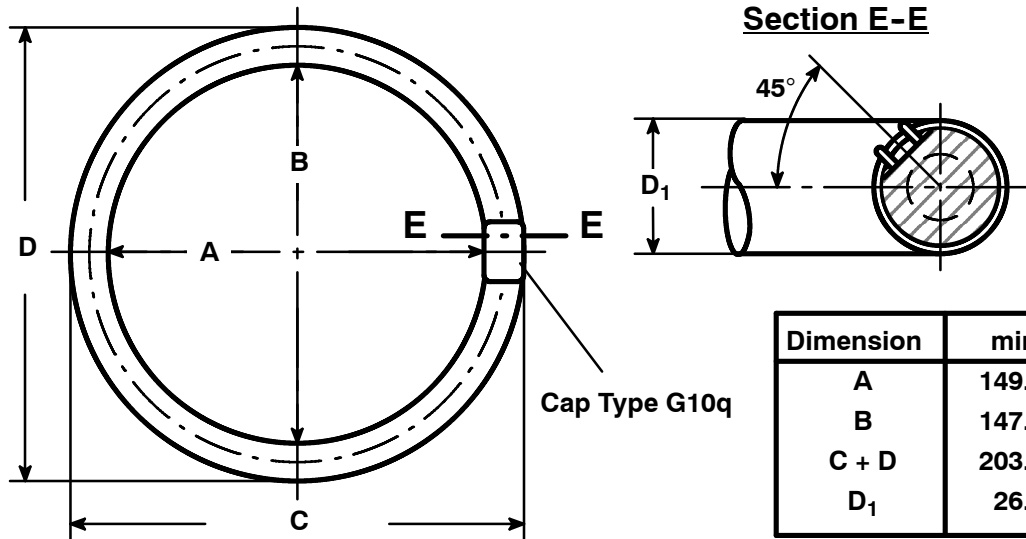


DIMENSIONS (mm) :



| Dimension | min. | max. |
|----------------|-------|-------|
| A | 149.1 | 155.6 |
| B | 147.6 | 157.2 |
| C + D | 203.2 | 215.9 |
| D ₁ | 26.2 | 30.9 |

Cap: G13 (IEC61-1 sheet 7004-51-7)

ELECTRICAL DATA

| | | <u>NOMINAL VALUE</u> | <u>MIN.</u> | <u>MAX.</u> |
|------------------------|----------------|----------------------|-------------|-------------|
| Frequency | (Hz) : | 50 | | |
| Lamp nominal wattage | (W) : | 25 | | |
| Lamp rated wattage | (W) : | 25.0 | 23.2 | 26.8 |
| Lamp operating voltage | (r.m.s.) (V) : | 57.0 | 50.0 | 64.0 |
| Lamp current | (mA) : | 480 | | |
| Preheat current | (mA) : | 675 | | 945 |

OPERATING CONDITIONS

| | | <u>NOMINAL VALUE</u> | <u>MIN.</u> | <u>MAX.</u> |
|--------------------------------------|---------|---------------------------|-------------|-------------|
| Lamp ambient temperature | (°C) : | | -20 | |
| Ballast | (Ω/V) : | 415/220, 445/230, 470/240 | | |
| Lamp operation with standard ballast | : | 32W, 230V/50Hz | | |
| Starter | : | FS-11, COP-11 | | |
| Burning position | : | any | | |

LAMP LIFE *

| | | |
|---------------------------------|-------|------|
| Average life (50% failure rate) | (h) : | 7500 |
| Individual life | (h) : | 3000 |

ATTENTION:

This UV energy source emits UV radiation. Avoid exposure to skin and eyes.
 Lamps comply with the requirements of EN 61199, respectively.
 Starter and ballast must comply with EN 60155 and EN 60921, respectively.
 * Life test according to EN 60081, Annex C.1.

Issued by : SLI Lichtsysteme
 Date : 08.07.2005
 Revision Date :

DATA SHEET

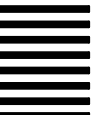
Specification No.: 51P-5934
 Supersedes :
 Page 1 of 3



FLUORESCENT LAMP

FC32W/BL350/8-inch(D29)

50 Hz-Operation



PHOTOMETRIC DATA:

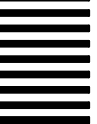
| COLOUR | No. | UV-A irradiance 1m distance bare lamp (315-400nm) ($\mu\text{W}/\text{cm}^2$) | UV-B irradiance 1m distance bare lamp (280-315nm) ($\mu\text{W}/\text{cm}^2$) | ILCOS-Code |
|------------------------------|-----|---|---|-------------------|
| BLACKLIGHT average at 0 h | | 42,2 | 0,31 | XUV/FC-32-E-G10q- |

ATTENTION: This UV energy source emits UV radiation. Avoid exposure to skin and eyes.
Lamps comply with the requirements of EN 61199, respectively.
Starter and ballast must comply with EN 60155 and EN 60921, respectively.
* Life test according to EN 60081, Annex C.1.

Issued by : SLI Lichtsysteme
Date : 08.07.2005
Revision Date :

DATA SHEET

Specification No.: 51P-5934
Supersedes :
Page 2 of 3

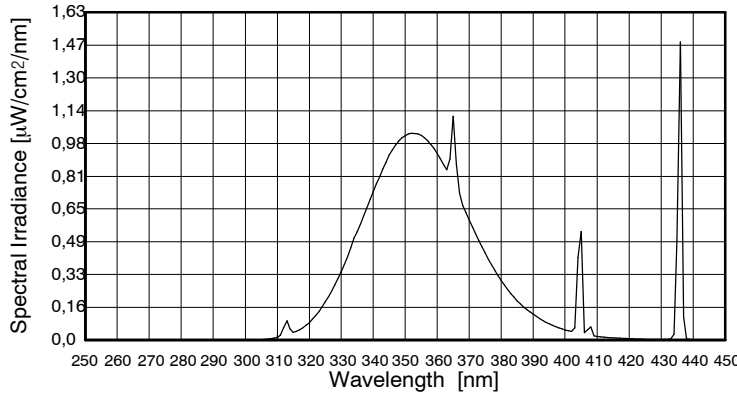


Evaluation acc. EN60335-2-59

AVG FC32W-8-inch

0 h

A) Spectral Irradiance vs. Wavelength



Spectral Irradiance @ 1m distance

UVA = 42,2 µW/cm²
 UVB = 0,31 µW/cm²
 UVB/UVA = 0,74 %

Wavelength range acc. to CIE

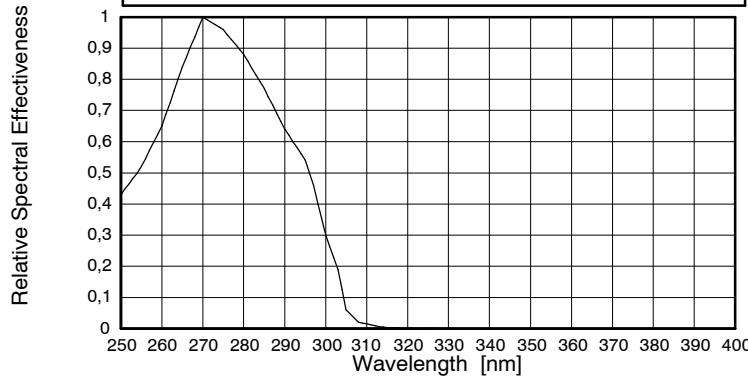
UVA : 315 - 400 nm
 UVB : 280 - 315 nm

Lamp parameter:

Voltage 57 V
 Current 0,480 A
 Power 25,0 W

B) UV Action Curve vs. Wavelength

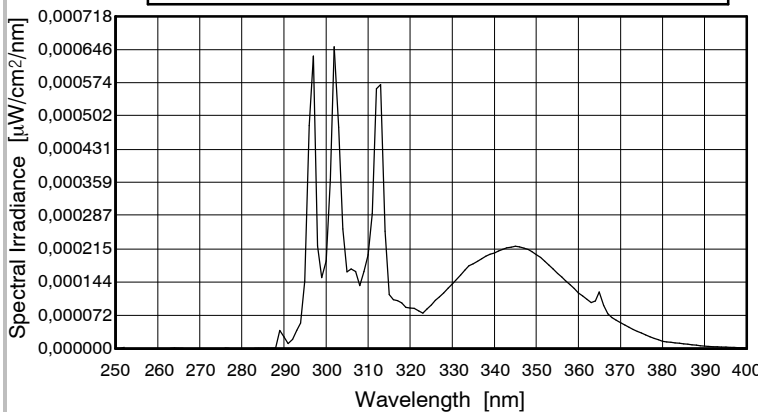
Proposal of the British Committee to amend EN 60335-2-59 :1997: Insect killers



Acc. to EN 60335-2-59 : 1997
 CLC/TC61(GB)579

Total Effective Irradiance @ 1m distance
 Max. 1 mW/m²

C) Total Effective Irradiance vs. Wavelength = A) x B)



Total Effective Irradiance @ 1m distance
 0,150 mW/m²

ATTENTION:

This UV energy source emits UV radiation. Avoid exposure to skin and eyes.
 Lamps comply with the requirements of EN 61199, respectively.
 Starter and ballast must comply with EN 60155 and EN 60921, respectively.
 * Life test according to EN 60081, Annex C.1.

Issued by : SLI Lichtsysteme
 Date : 08.07.2005
 Revision Date :

DATA SHEET

Specification No.: 51P-5934
 Supersedes :
 Page 3 of 3